



Ricon

A **Wabtec** company



The Lift

Beware of Imitations

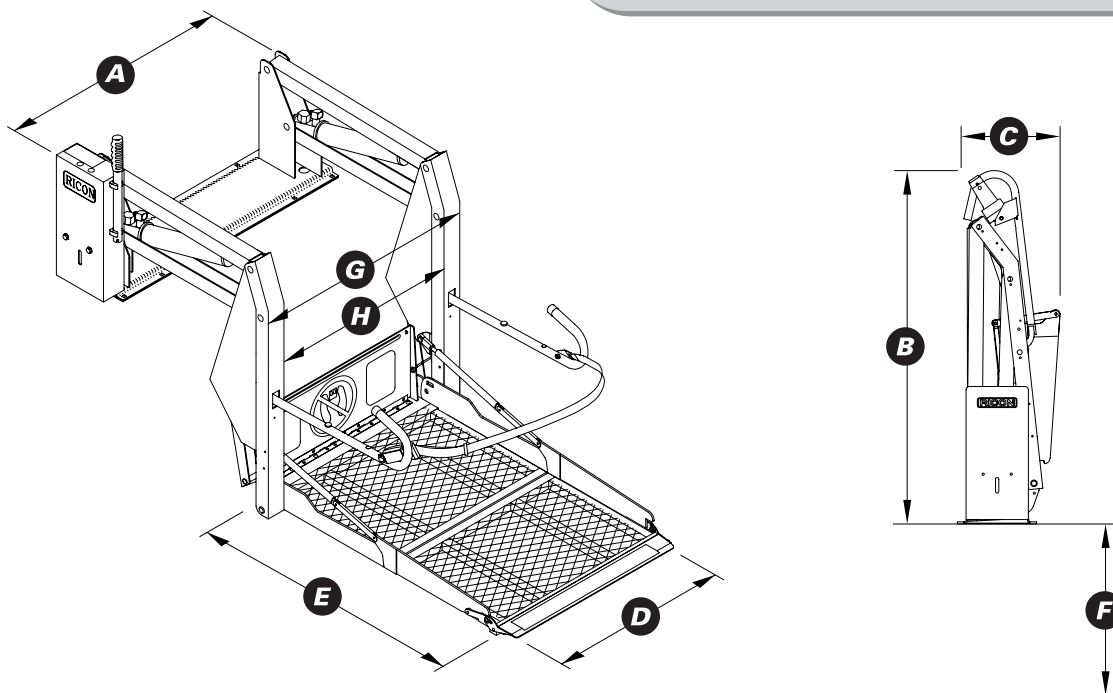


Klearvue

Klearvue wheelchair lift with horizontal split platform

Specifications

- Payload 350 kg
- 12V or 24V
- Interchangeable Powerpack



Dimensions (Millimetres)

Model	A	B	C	D	E	F	G	H
Serial number	Stationary frame width	Height (folded)	Installation depth (folded)	Usable platform width	Usable platform length	Floor-to-ground travel	Travelling frame width	Clear entry width
K1132	1092	990	419	660	965	686	851	635
K1200	1194	1106	419	762	1118	781	953	736
K2003-T	1194	1187	432	762	1295	940	965	736
K2005-T*	1194	1187	432	813	1295	940	1018	787
K2005-S*	1194	1355	432	813	1295	940	1018	787
K2010-S*	1245	1355	432	864	1372	940	1069	838
K2010-T*	1245	1187	432	864	1372	940	1069	838

*EC2001/85 compliant

S: Commercial application (long handrails); T: Personal application (short handrails)

Klearvue EN 200806

www.wabtec.com

Ricon UK Limited · Littlemoss Business Park · Littlemoss Road, Droylsden · Manchester M43 7EF · United Kingdom
Phone +44 161 3016000 · Fax +44 161 3016050 · riconuk@wabtec.com

Ricon Europe GmbH · Karl-Schiller-Straße 4a · 26209 Hatten · Deutschland
Telefon +49 4481 935240 · Fax +49 4481 935244 · ricon europe@wabtec.com